

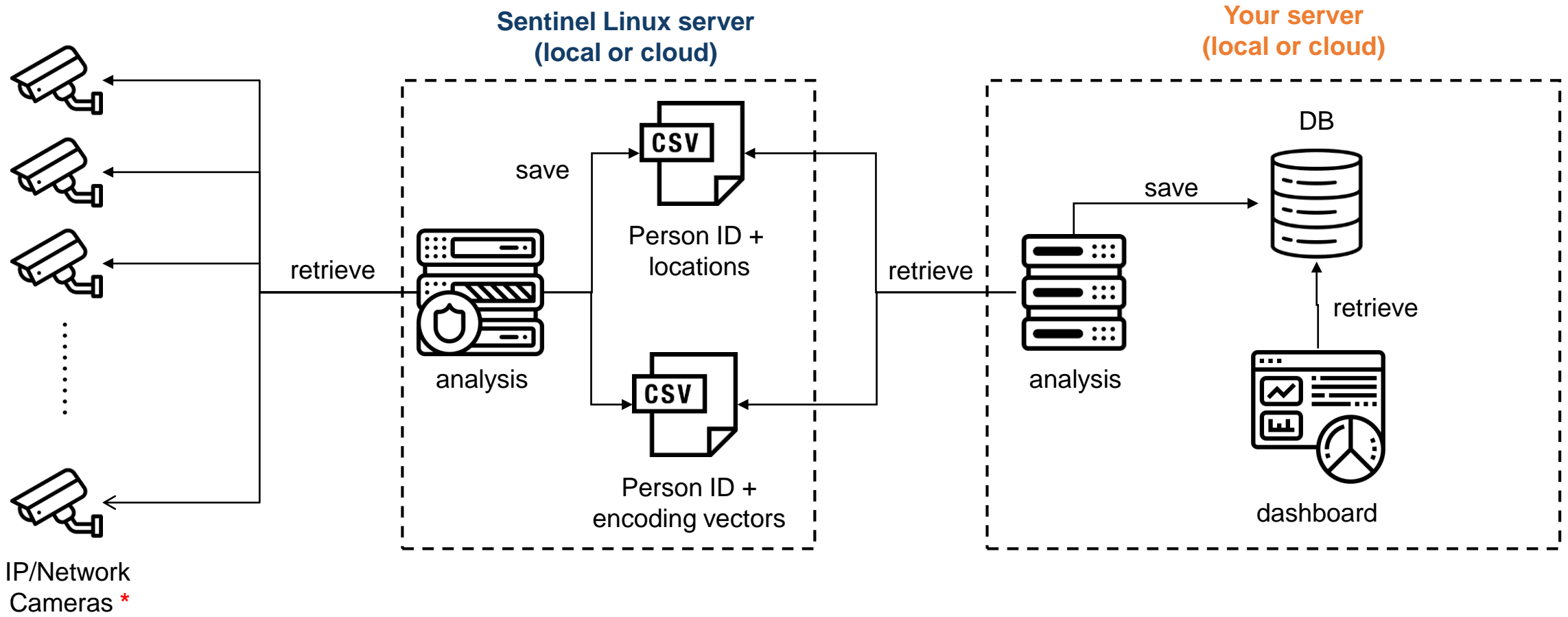


Accuware Sentinel architectures

Last update: March 9th, 2020

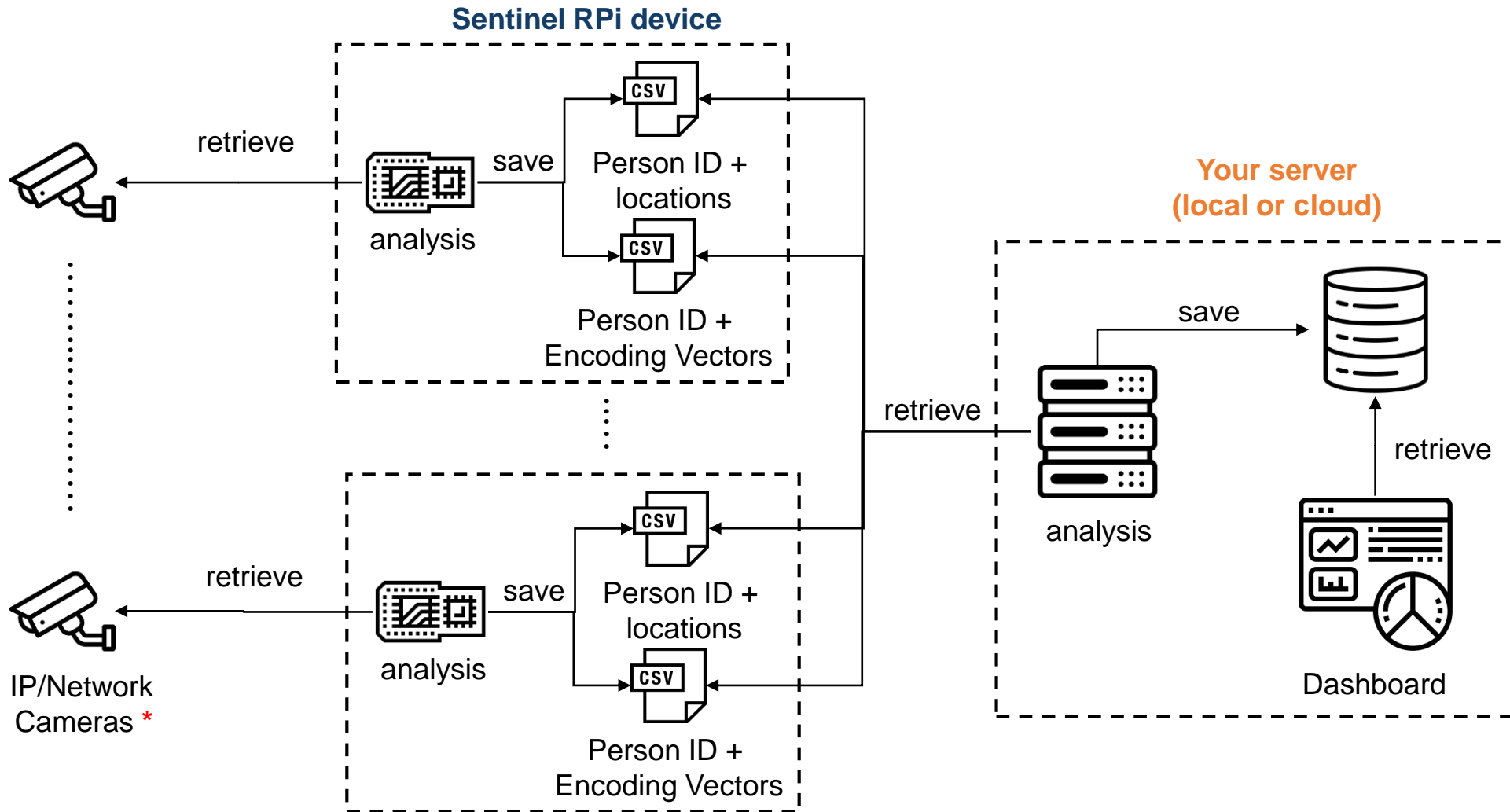
Technical Support Team

Architecture 1 – A server for multiple cameras



* The maximum number of cameras that can be connected to a single Sentinel Linux server is a function of: the specifics of the server, the quality of the streaming input, the maximum number of people inside each stream, the frequency of the CSV output.

Architecture 2 – A Raspberry Pi for each camera



* The maximum number of people that can be detected by each RPi is a function of: the quality of the each input stream, the maximum number of people inside each stream, the frequency of the CSV output.